

**NOTE:**

ALL TYPE 2, 3 AND 4 CILLS OVER 1400mm LONG WILL BE SUPPLIED SECTIONAL, UNLESS PREVIOUSLY AGREED.

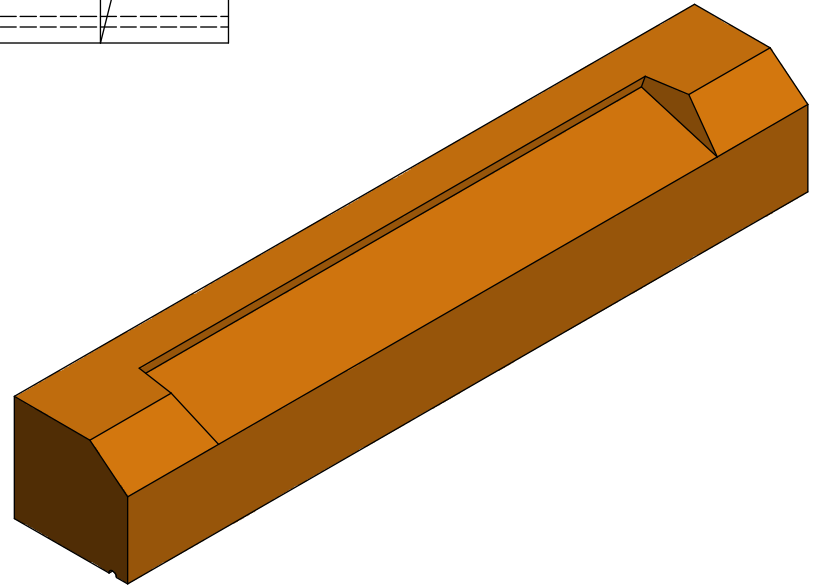
STANDARD STRUCTURAL OPENING SIZES INCLUDE 488mm, 630mm, 915mm, 1200mm AND 1770mm.

NON-STANDARD LENGTHS AND SECTIONS MANUFACTURED TO ORDER.

ALL CILLS AVAILABLE-DELETE STOOLS TO FORM SLIP CILLS.

10mm RAINWATER DRIP LOCATED TO FRONT UNDERSIDE OF ALL PROTECTING CILLS.

TYPE 3 CILL RECOMENDED FOR RENDERED BRICKWORK FINISHES



Designed by RR	Checked by	Approved by	Date	Date 24/04/2021	
PROCTER CAST STONE			Cills - Type 2		Edition
					Sheet 1 / 1